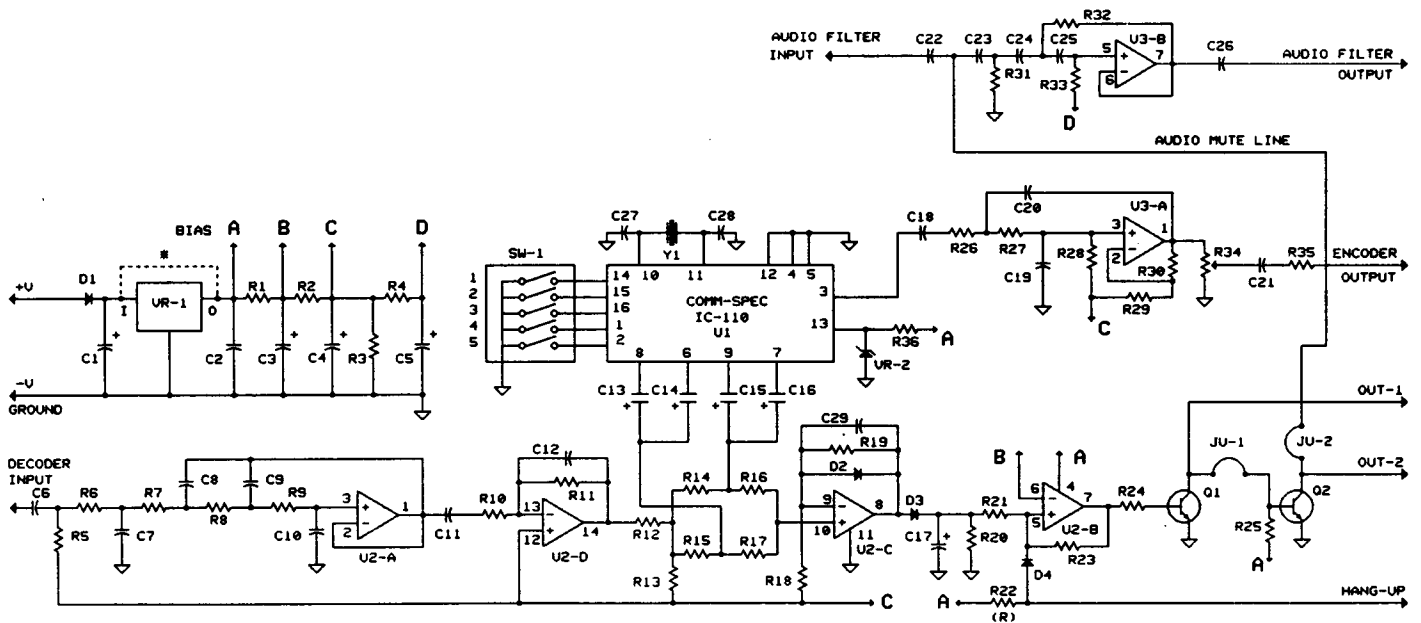


TS-32P INSTRUCTION SHEET



DIP SWITCH PROGRAMMING (FOR CTCSS PRODUCTS)

SWITCH NUMBER*

#	FREQ.	CODE	5	4	3	2	1
1	67.0	XZ	0	0	0	0	0
2	71.9	XA	0	0	0	0	1
3	74.4	WA	0	0	0	1	0
4	77.0	XB	0	0	0	1	1
5	79.7	SP	0	0	1	0	0
6	82.5	YZ	0	0	1	0	1
7	85.4	YA	0	0	1	1	0
8	88.5	YB	0	0	1	1	1
9	91.5	ZZ	0	1	0	0	0
10	94.8	ZA	0	1	0	0	1
11	97.4	ZB	0	1	0	1	0
12	100.0	1Z	0	1	0	1	1
13	103.5	1A	0	1	1	0	0
14	107.2	1B	0	1	1	0	1
15	110.9	2Z	0	1	1	1	0
16	114.8	2A	0	1	1	1	1
17	118.8	2B	1	0	0	0	0
18	123.0	3Z	1	0	0	0	1
19	127.3	3A	1	0	0	1	0
20	131.8	3B	1	0	0	1	1
21	136.5	4Z	1	0	1	0	0
22	141.3	4A	1	0	1	0	1
23	146.2	4B	1	0	1	1	0
24	151.4	5Z	1	0	1	1	1
25	156.7	5A	1	1	0	0	0
26	162.2	5B	1	1	0	0	1
27	167.9	6Z	1	1	0	1	0
28	173.8	6A	1	1	0	1	1
29	179.9	6B	1	1	1	0	0
30	186.2	7Z	1	1	1	0	1
31	192.8	7A	1	1	1	1	0
32	203.5	M1	1	1	1	1	1

*CLOSED = 0 (ON)
OPEN = 1 (OFF)

