

To pin 21, station control card

#22 GREEN (Shielded)
(Discriminator Audio)

To pin 18 line driver
module (see note below)

#22 VIOLET
(COS Input)

To pin 18 squelch gate module, (Rptr, PTT)
#22 ORANGE (PTT)

To pin 11 squelch gate card
#22 RED (Shielded)

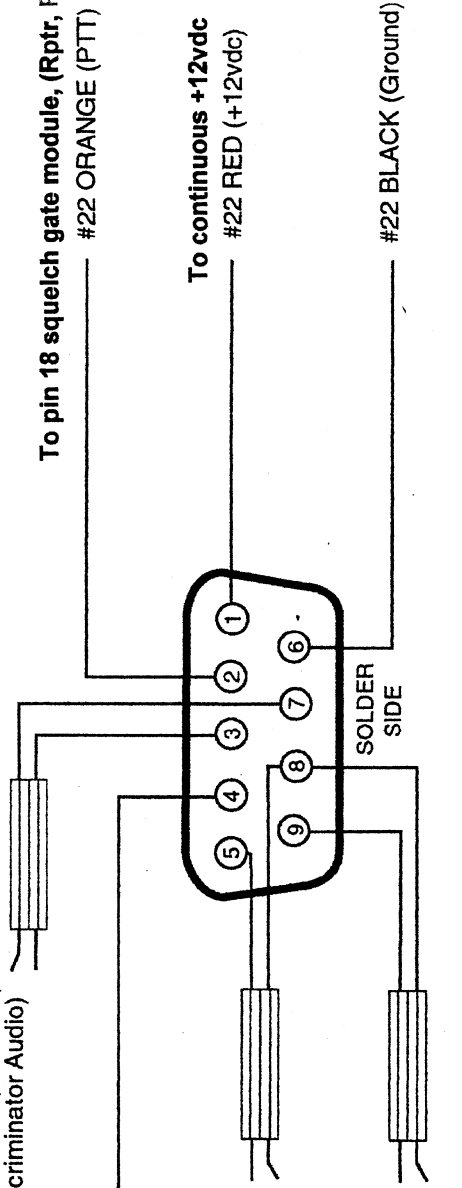
(Repeat Audio)

To continuous +12vdc
#22 RED (+12vdc)

To pin 29 pad on the remote
control chassis (J2)

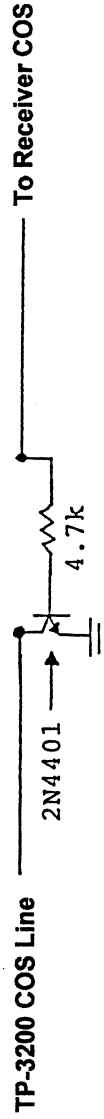
#22 BLUE (Shielded)
(CTCSS/DCS Output)

#22 BLACK (Ground)



Special Notes:

COS Note: Add a 2N4401 transistor and a 4.7k 1/4w resistor in series with the COS line (see example below). Also, in System Parameters 2, set option "B" COS Signal Polarity to INVERT.



Other Notes: On the transmitter interconnect board (Model TLN4729A only) there must be a jumper wired from pin 29, J951, to pin 5, J902.

On some earlier versions of the exciter board, there is no connection from 5, P902, to pin 6, P401. If this is the case, a jumper must be added.

COMMUNICATIONS SPECIALISTS, INC.
426 WEST TAFT AVENUE • ORANGE, CA 92865-4296
(714) 995-3021 • FAX (714) 974-3420
Entire U.S.A. (800) 854-0547 • FAX (800) 850-0547
<http://www.com-spec.com>

TP-3200 Pre-Wired Cable Assembly Part# 01-3200

MOTOROLA MICOR "COMPA-STATION"