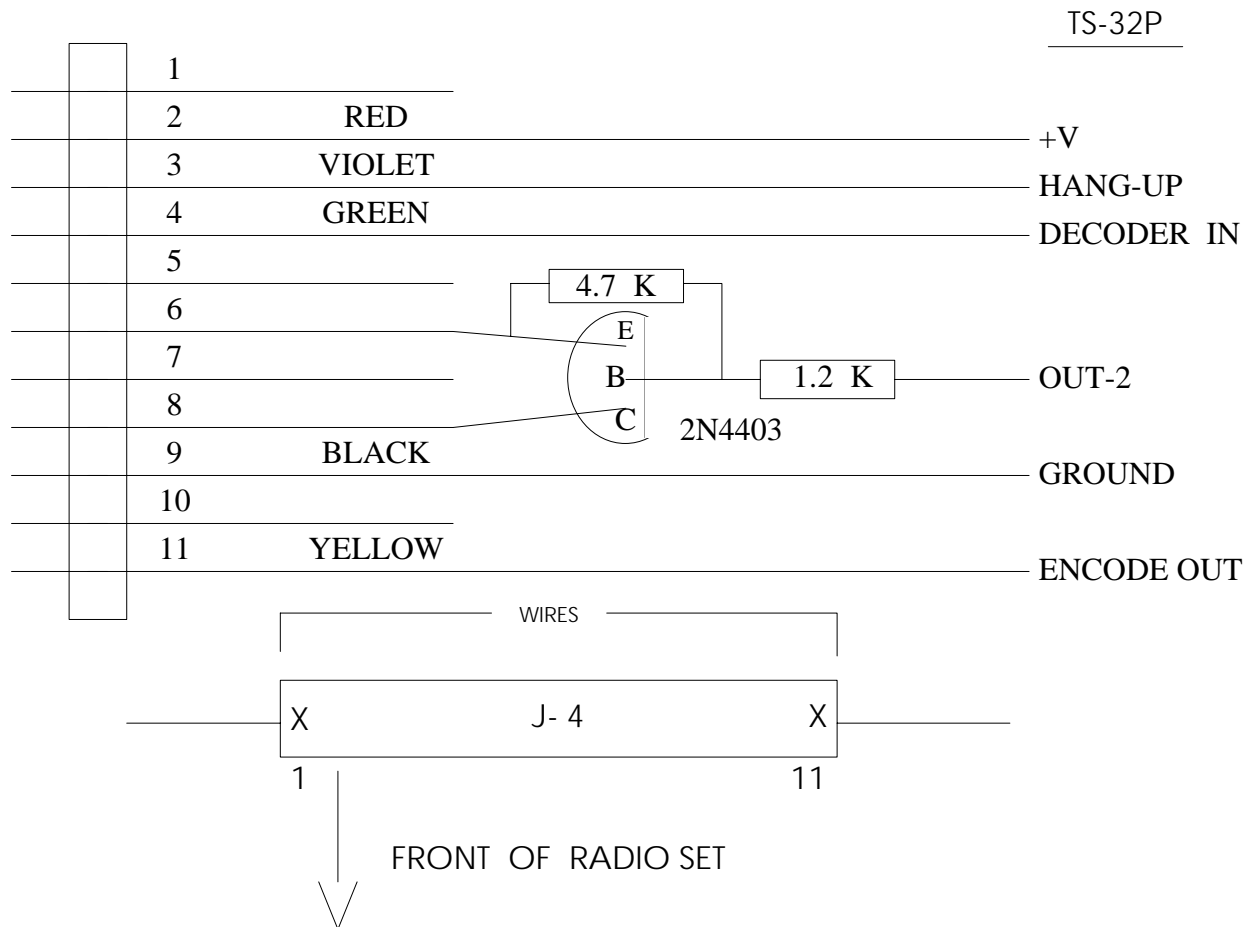


TS-32P TO SYNTOR



Hook-up Instructions

- 1- Cut JU-2 on TS-32P
- 2- Plug wires onto the TS-32P as indicated.
- 3- Mount the TS-32P to a clean flat surface in the radio using the supplied double-sided tape.
- 4- Plug into the radio as indicated.

Required Parts

- 1- 01-1026 Syntor cable assy. (\$5.00)
- 2- 75-1002 Double-sided tape squares.